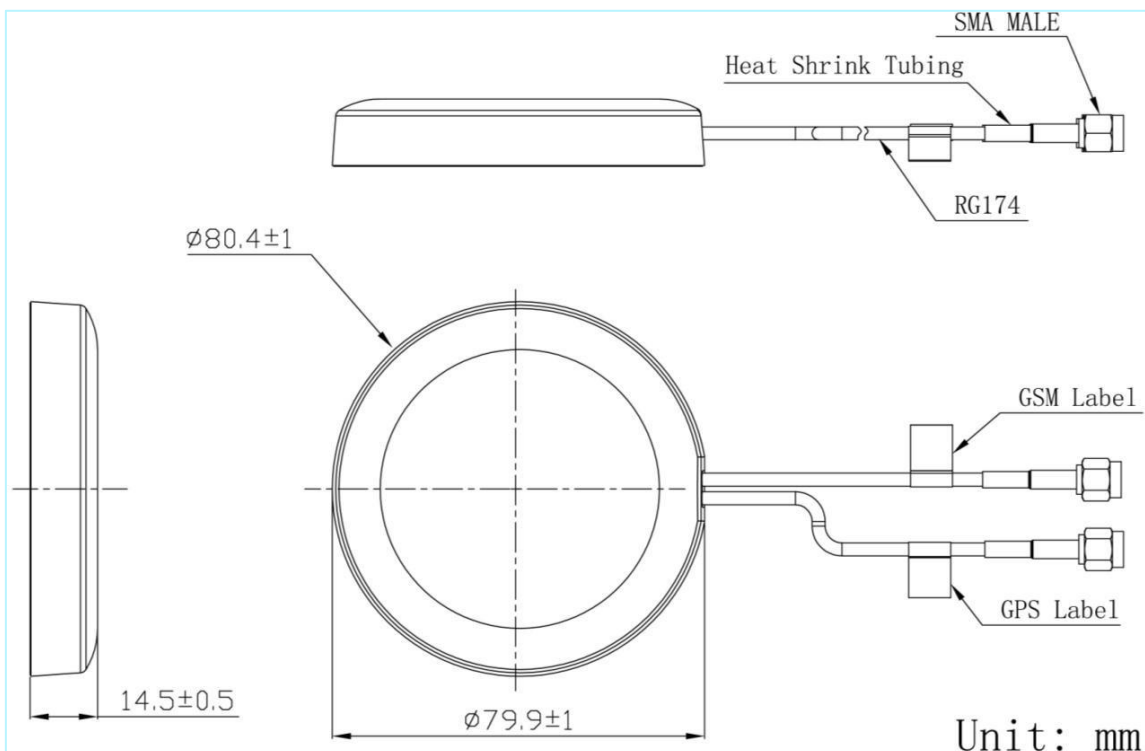


GPS+GSM Combination Antenna magnet mount and adhesive mount

AN_GPS_GSM_008



Mechanical dimension



Unit: mm

GPS+GSM Combination Antenna magnet mount and adhesive mount

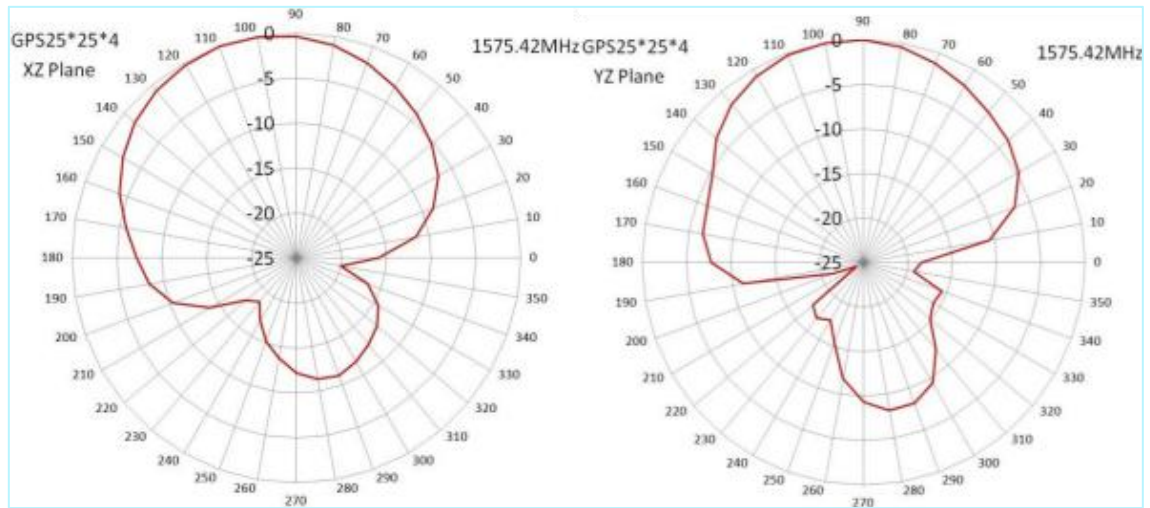
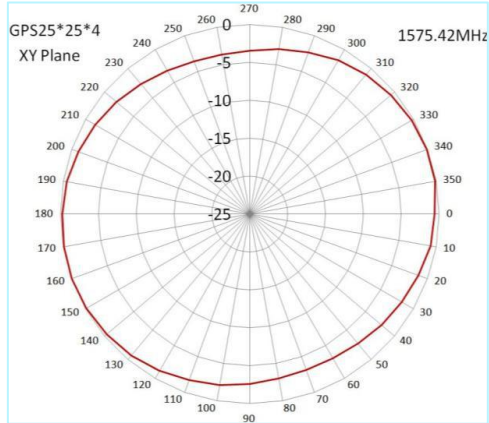
Specifications

Item		Specifications	
GPS Antenna	Dielectric Antenna	Center Frequency	1575.42±3MHz
		Band Width	CF±5MHz
		Polarization	RHCP
		Gain	2dBic (Zenith)
		V.S.W.R	<1.5
		Impedance	50Ω
		Axial Ratio	3dB (max)
	LNA	Gain	28±2dB
		Noise Figure	<1.5dB
		V.S.W.R	<2.0
	Supply Voltage	2.2~5V DC	
	Current Consumption	< 15mA	
GSM Antenna		Frequency Range	824~960MHz/1710~2170MHz
		V.S.W.R	<2.0
		Polarization	Linear
		Gain	2.0dBi
		Impedance	50Ω
Mechanical		Cable	5 meters
		Connector	SMA male for all the leads
		Radome Material	ABS
		Mounting Method	Magnet
Environmental		Operating Temperature	-40°C~+85°C
		Relative Humidity	Up to 95%
		Ingress Protection	IP65~IP67
		Vibration	10 to 55Hz with 1.5mm amplitude 2hours
		Environmentally Friendly	ROHS Compliant

GPS+GSM Combination Antenna magnet mount and adhesive mount

Radiation Patterns

GPS Antenna



GPS+GSM Combination Antenna magnet mount and adhesive mount

Radiation Patterns

GSM Antenna

